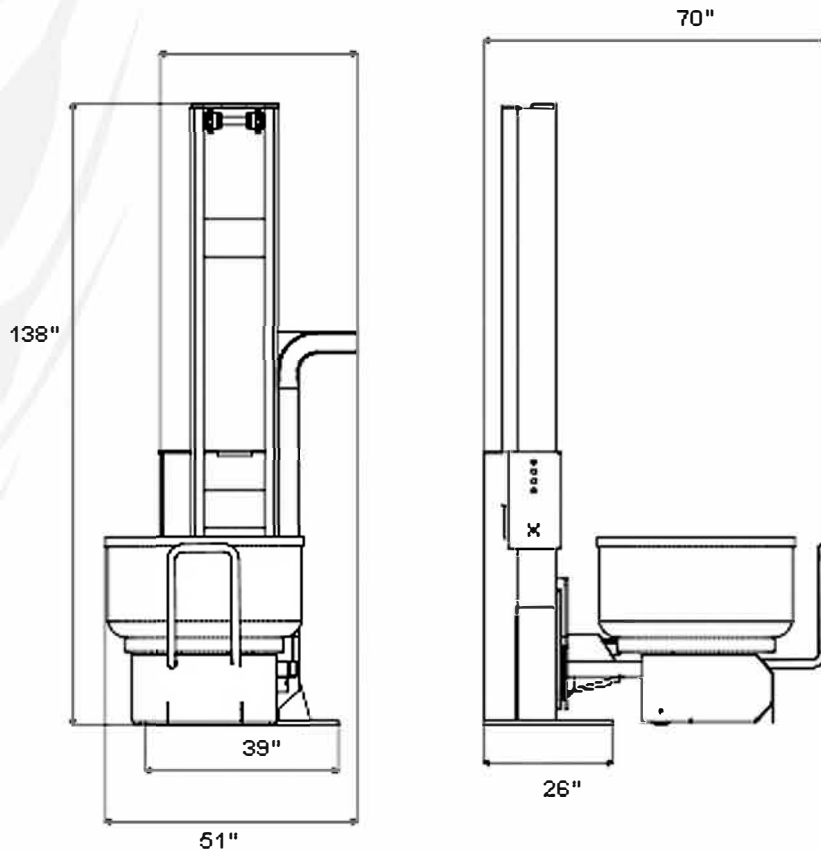


## Technical Data

MODEL	MACHINE DIMS	DUMP HEIGHT	CAPACITY MIN	CAPACITY MAX	WEIGHT	POWER
BE-BL-250	39" X 73" X 138"	96"	220LBS	551lbs	2072lbs	208V - 60Hz 3Ph - 3 AMPS



BECOM SALES.COM, INC.

### Main Warehouse

409 W. Cooper Street, Tipton MO 65081

### Corporate Headquarters

5500 Olympic Drive  
STE H105 - PMB 117, Gig Harbor, WA 98335

### Customer Service

PH: 360-255-7467, 888-869-5737  
FX: 253-276-0244 sales@becomsales.com