

BE-VDIV-4800



DOUBLE PISTON VOLUMETRIC DIVIDER



BE-VDIV-4800



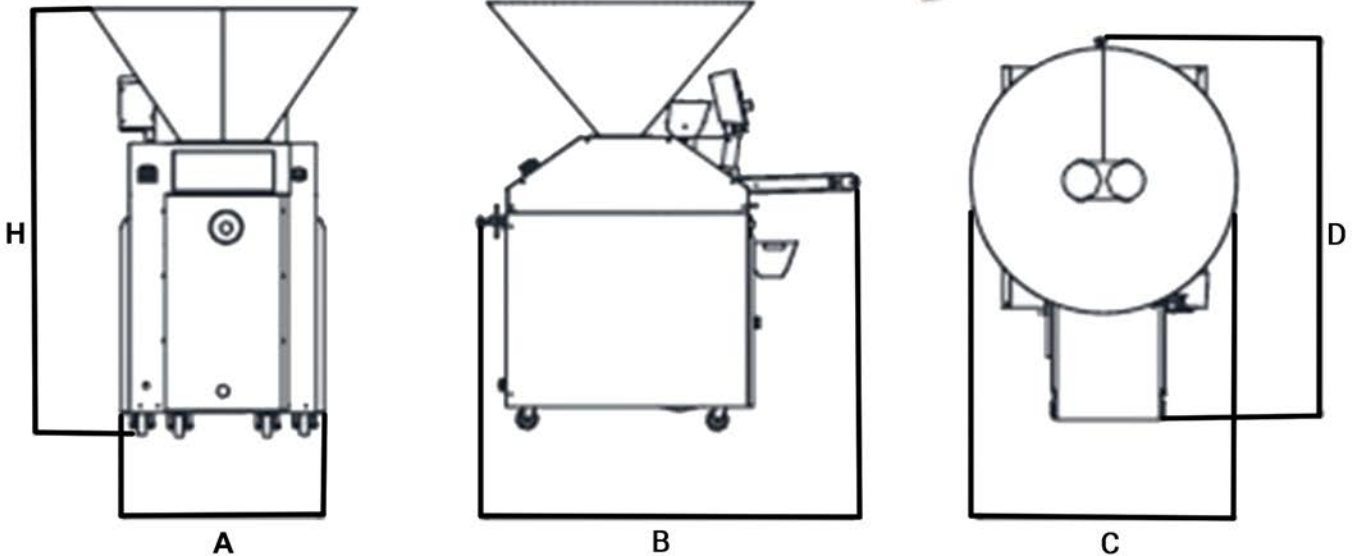
DOUBLE PISTON VOLUMETRIC DIVIDER

The BEcom volumetric divider accurately divides dough through a newly designed drum and piston system. This BE-VDIV-4800 capacity ranges from 40 to 80 pieces of dough per minute. Scaling is done by a mechanical adjustment or an optional PLC touch screen panel.

** Please specify piston size when ordering.*

FEATURES

- Stainless steel body
- Chrome plates drum surface
- Standard hopper capacity 353lbs
- Power belt/pulley transmission system
- Piston automatically moves to the discharge position when the machine is shut off



MODEL	MACHINE DIMENSIONS A x B x C x D x H	WEIGHT	POWER	CAPACITY QTY/HOUR	WORKING RANGE	
BE-VDIV-4800-M	30" x 56" x 39" x 56" x 58"	1543 lbs	208V 3 Ph - 60 Hz 5.7 AMPS	2400 - 4800	Piston Diameter	
BE-VDIV-4800-A					3"	2 - 9 oz
					4"	3.5 - 21 oz